

Features 特点

- low profile, low RDC, high current handing capacities
小尺寸、低电流电阻、高电流
- Magnetically shielded structure that ensures the high-density mounting configurations
高密度封装的磁屏蔽结构
- Flat bottom surfaces ensures secure, reliable mounting
平坦焊面便于安装
- Provided in embossed carrier tape packaging for use with automatic mounting machines
编带包装便于自动贴装

Application 应用

- Ideally used in Portable telephones, PDA, DSC, DC-DC Converters, etc
用于手机、掌上电脑、数字信号控制器、DC-DC 转换等

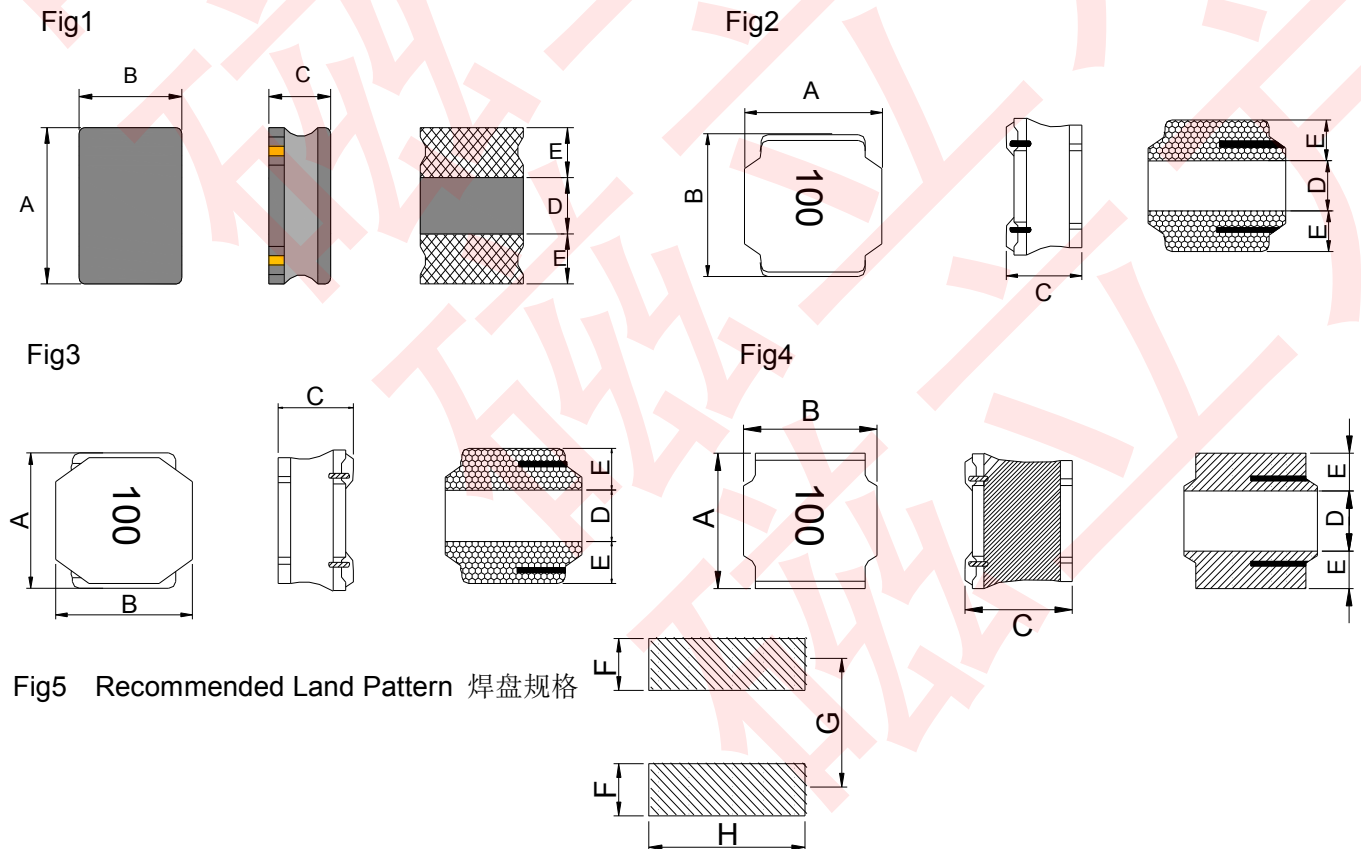
Product Identification 产品标识

SNR 8040 - 100 M

① ② ③ ④

- ① Series name 系列名称
- ② Product dimensions 产品尺寸：(8040=8.0*8.0*4.0mm)
- ③ Inductance Value 电感量：(100=10 μ H)
- ④ Inductance Tolerance 电感量公差：(M:20%;N:30%)

Shapes And Dimensions/Recommended Footprint 外形及焊位尺寸示意图





Series	Shape	A	B	C	D	E	F	G	H
SNR201610	Fig1	2.0±0.2	1.6±0.2	1.1 MAX	0.8±0.3	0.6±0.2	0.60TYP	1.20TYP	1.60TYP
SNR252010A	Fig1	2.5±0.2	2.0±0.2	1.0 MAX	0.8±0.3	0.8±0.2	0.85TYP	1.65TYP	2.00TYP
SNR252012A	Fig1	2.5±0.2	2.0±0.2	1.2 MAX	0.8±0.3	0.8±0.2	0.85TYP	1.65TYP	2.00TYP
SNR3010	Fig3	3.0±0.2	3.0±0.2	1.0 MAX	1.5±0.3	0.75±0.2	0.80TYP	1.60TYP	2.70TYP
SNR3012	Fig3	3.0±0.2	3.0±0.2	1.2 MAX	1.5±0.3	0.75±0.2	0.80TYP	1.60TYP	2.70TYP
SNR3015	Fig3	3.0±0.2	3.0±0.2	1.5 MAX	1.5±0.3	0.75±0.2	0.80TYP	1.60TYP	2.70TYP
SNR4012	Fig3	4.0±0.3	4.0±0.3	1.3 MAX	1.8±0.3	1.0±0.2	1.10TYP	2.2TYP	3.40TYP
SNR4018	Fig3	4.0±0.3	4.0±0.3	1.9 MAX	1.8±0.3	1.3±0.2	1.2REF	2.8REF	3.7REF
SNR4020	Fig3	4.0±0.2	4.0±0.2	2.0 MAX	1.8±0.3	1.3±0.2	1.2REF	2.8REF	3.7REF
SNR4030	Fig3	4.0±0.2	4.0±0.2	3.0 MAX	1.8±0.3	1.35±0.3	1.2REF	2.8REF	3.7REF
SNR5012	Fig3	5.0±0.3	5.0±0.3	1.3 MAX	2.0±0.3	1.5±0.3	1.5REF	3.6REF	4.0REF
SNR5020	Fig4	5.0±0.2	5.0±0.2	2.0 MAX	2.0±0.3	1.5±0.3	1.4REF	3.7REF	4.2REF
SNR5040	Fig3	5.0±0.2	5.0±0.2	4.0 MAX	2.0±0.3	1.5±0.3	1.5REF	3.6REF	4.0REF
SNR6020	Fig3	6.0±0.3	6.0±0.3	2.0 MAX	3.2±0.3	1.7±0.3	1.6REF	4.7REF	5.7REF
SNR6028	Fig3	6.0±0.3	6.0±0.3	2.8 MAX	3.2±0.3	1.7±0.3	1.6REF	4.7REF	5.7REF
SNR6045	Fig2	6.0±0.3	6.0±0.3	4.5 MAX	3.2±0.3	1.4±0.3	1.6REF	4.7REF	5.7REF
SNR8040	Fig2	8.0±0.3	8.0±0.3	4.2 MAX	5.6±0.3	1.6±0.3	1.8REF	5.6REF	7.5REF

Electrical Characteristics 电气特性

SNR252010A 系列

MCT	Inductance	L Test	DCR (mΩ)		Isat(A)		Irms(A)		SRF
P/N	L(μH)	Frequency	MAX	TYP	MAX	TYP	MAX	TYP	(MHZ)
SNR252010A-R47N	0.47±30%	100KHz,1.0V	54	45	2.50	2.50	2.35	2.35	201
SNR252010A-R68N	0.68±30%	100KHz,1.0V	72	60	2.25	2.25	2.00	2.00	139
SNR252010A-1R0N	1.00±30%	100KHz,1.0V	108	90	1.90	1.90	1.65	1.65	100
SNR252010A-1R5N	1.50±30%	100KHz,1.0V	180	150	1.80	1.80	1.30	1.30	80
SNR252010A-2R2N	2.20±30%	100KHz,1.0V	204	170	1.25	1.25	1.20	1.20	60
SNR252010A-3R3M	3.30±20%	100KHz,1.0V	324	270	1.05	1.05	0.90	0.90	49
SNR252010A-4R7M	4.70±20%	100KHz,1.0V	563	469	1.00	1.00	0.70	0.70	40
SNR252010A-5R6M	5.60±20%	100KHz,1.0V	564	470	0.80	0.80	0.73	0.73	37
SNR252010A-6R8M	6.80±20%	100KHz,1.0V	894	745	0.78	0.78	0.60	0.60	32
SNR252010A-100M	10.00±20%	100KHz,1.0V	1092	910	0.65	0.65	0.50	0.50	26

Isat: Direct current at which the inductance drops approximate 30% from its value without current.

Irms: Direct current when the temperature of the product rise (ΔT=40°C) from 20°C ambient.

SNR252012A 系列

MCT	Inductance	L Test	DCR (mΩ)		Isat(A)		Irms(A)		SRF
P/N	L(μH)	Frequency	MAX	TYP	MAX	TYP	MAX	TYP	(MHZ)
SNR252012A-R33N	0.33±30%	100KHz,1.0V	30	25	4.00	4.00	3.30	3.30	---
SNR252012A-R47N	0.47±30%	100KHz,1.0V	60	50	3.82	3.82	2.15	2.15	161
SNR252012A-R68N	0.68±30%	100KHz,1.0V	68	57	3.28	3.28	1.96	1.96	140
SNR252012A-1R0N	1.00±30%	100KHz,1.0V	83	69	2.59	2.59	1.93	1.93	110
SNR252012A-1R2N	1.20±30%	100KHz,1.0V	119	99	2.40	2.40	1.46	1.46	99
SNR252012A-1R5M	1.50±20%	100KHz,1.0V	132	110	2.25	2.25	1.40	1.40	96



SNR252012A-2R2M	2.20±20%	100KHz,1.0V	198	165	1.85	1.85	1.15	1.15	69
SNR252012A-2R7M	2.70±20%	100KHz,1.0V	216	180	1.75	1.75	1.10	1.10	63
SNR252012A-3R3M	3.30±20%	100KHz,1.0V	240	200	1.61	1.61	1.04	1.04	61
SNR252012A-3R6M	3.60±20%	100KHz,1.0V	318	265	1.45	1.45	0.90	0.90	53
SNR252012A-4R3M	4.30±20%	100KHz,1.0V	348	290	1.35	1.35	0.85	0.85	51
SNR252012A-4R7M	4.70±20%	100KHz,1.0V	348	290	1.18	1.18	0.84	0.84	47
SNR252012A-5R1M	5.10±20%	100KHz,1.0V	462	385	1.15	1.15	0.75	0.75	44
SNR252012A-5R6M	5.60±20%	100KHz,1.0V	486	405	1.13	1.13	0.73	0.73	38
SNR252012A-6R2M	6.20±20%	100KHz,1.0V	498	415	1.03	1.03	0.72	0.72	38
SNR252012A-6R8M	6.80±20%	100KHz,1.0V	534	445	1.00	1.00	0.69	0.69	37
SNR252012A-7R5M	7.50±20%	100KHz,1.0V	564	470	0.95	0.95	0.67	0.67	35
SNR252012A-8R2M	8.20±20%	100KHz,1.0V	606	505	1.00	1.00	0.64	0.64	36
SNR252012A-9R1M	9.10±20%	100KHz,1.0V	642	535	0.90	0.90	0.62	0.62	34
SNR252012A-100M	10.00±20%	100KHz,1.0V	642	535	0.70	0.70	0.62	0.62	34
SNR252012A-120M	12.00±20%	100KHz,1.0V	990	825	0.78	0.78	0.51	0.51	28
SNR252012A-150M	15.00±20%	100KHz,1.0V	1464	1220	0.69	0.69	0.42	0.42	25
SNR252012A-220M	22.00±20%	100KHz,1.0V	1824	1520	0.54	0.54	0.38	0.38	20

Isat: Direct current at which the inductance drops approximate 30% from its value without current.

Irms: Direct current when the temperature of the product rise ($\Delta T=40^{\circ}\text{C}$) from 20°C ambient.

SNR202610 系列

MCT	Inductance	L Test	DCR (m Ω)		Isat(A)		Irms(A)		SRF
P/N	L(μH)	Frequency	MAX	TYP	MAX	TYP	MAX	TYP	(MHZ)
SNR201610-R24N	0.24±30%	100KHz,1.0V	34	26	4.50	4.60	3.80	4.00	----
SNR201610-R33N	0.33±30%	100KHz,1.0V	52	40	3.80	4.00	3.30	3.60	----
SNR201610-R47N	0.47±30%	100KHz,1.0V	59	45	2.80	3.10	2.60	2.80	----
SNR201610-R68N	0.68±30%	100KHz,1.0V	78	60	2.30	2.50	2.40	2.60	----
SNR201610-1R0N	1.00±30%	100KHz,1.0V	104	80	1.80	2.00	1.80	2.00	----
SNR201610-2R2M	2.20±20%	100KHz,1.0V	257	198	1.20	1.40	1.20	1.40	----
SNR201610-4R7M	4.70±20%	100KHz,1.0V	494	380	0.90	1.00	0.90	1.00	----
SNR201610-6R8M	6.80±20%	100KHz,1.0V	780	600	0.70	0.80	0.70	0.80	----
SNR201610-100M	10.00±20%	100KHz,1.0V	956	735	0.60	0.70	0.60	0.70	----

Isat: Direct current at which the inductance drops approximate 30% from its value without current.

Irms: Direct current when the temperature of the product rise ($\Delta T=40^{\circ}\text{C}$) from 20°C ambient.

SNR3010 系列

MCT	Inductance	L Test	DCR (m Ω)		Irms(A)		Isat(A)		SRF
P/N	L(μH)	Frequency	MAX	TYP	MAX	TYP	MAX	TYP	(MHZ)
SNR3010-1R0N	1.0±30%	100KHz/1V	85	65	1.40	1.40	1.45	1.45	180
SNR3010-1R2N	1.2±30%	100KHz/1V	85	65	1.25	1.25	1.45	1.45	137
SNR3010-1R5N	1.5±30%	100KHz/1V	104	80	1.27	1.27	1.30	1.30	120
SNR3010-2R2N	2.2±30%	100KHz/1V	143	110	1.15	1.15	1.09	1.09	100
SNR3010-2R7N	2.7±30%	100KHz/1V	169	129	1.00	1.00	1.02	1.02	90
SNR3010-3R3N	3.3±30%	100KHz/1V	189	145	0.97	0.97	0.96	0.96	74
SNR3010-3R6M	3.6±20%	100KHz/1V	215	165	0.95	0.95	0.90	0.90	67
SNR3010-4R7M	4.7±20%	100KHz/1V	293	225	0.75	0.75	0.77	0.77	59



SNR3010-6R8M	6.8±20%	100KHz/1V	397	305	0.55	0.55	0.66	0.66	42
SNR3010-8R2M	8.2±20%	100KHz/1V	416	320	0.65	0.65	0.65	0.65	40
SNR3010-100M	10±20%	100KHz/1V	520	400	0.55	0.55	0.58	0.58	39
SNR3010-120M	12±20%	100KHz/1V	657	505	0.43	0.43	0.52	0.52	36
SNR3010-150M	15±20%	100KHz/1V	793	610	0.42	0.42	0.47	0.47	30
SNR3010-220M	22±20%	100KHz/1V	1209	930	0.35	0.35	0.38	0.38	28
SNR3010-270M	27±20%	100KHz/1V	1405	1080	0.30	0.30	0.35	0.35	25
SNR3010-330M	33±20%	100KHz/1V	2015	1550	0.29	0.29	0.30	0.30	18
SNR3010-390M	39±20%	100KHz/1V	2015	1750	0.28	0.28	0.28	0.28	18
SNR3010-430M	43±20%	100KHz/1V	2340	1800	0.23	0.23	0.27	0.27	18
SNR3010-470M	47±20%	100KHz/1V	2535	1950	0.22	0.22	0.26	0.26	18
SNR3010-510M	51±20%	100KHz/1V	2860	2200	0.21	0.21	0.25	0.25	18
SNR3010-560M	56±20%	100KHz/1V	3016	2320	0.21	0.21	0.24	0.24	16

Isat: Direct current at which the inductance drops approximate 30% from its value without current.

Irms: Direct current when the temperature of the product rise(ΔT=40°C) from 20°C ambient

SNR3012 系列

MCT P/N	Inductance L(μH)	L Test Frequency	DCR(mΩ)		Irms(A)		Isat(A)		SRF (MHZ)
			MAX	TYP	MAX	TYP	MAX	TYP	
SNR3012-R82N	0.82±30%	100KHz/1V	39	30	2.05	2.05	2.47	2.47	180
SNR3012-1R0N	1.0±30%	100KHz/1V	52	40	1.87	1.87	2.20	2.20	120
SNR3012-1R2N	1.2±30%	100KHz/1V	59	45	1.85	1.85	2.01	2.01	120
SNR3012-1R5N	1.5±30%	100KHz/1V	72	55	1.62	1.62	2.01	2.01	110
SNR3012-1R8N	1.8±30%	100KHz/1V	82	63	1.30	1.30	1.65	1.65	90
SNR3012-2R2N	2.2±30%	100KHz/1V	98	75	1.20	1.20	1.55	1.55	84
SNR3012-2R4N	2.4±30%	100KHz/1V	89	68	1.15	1.15	1.60	1.60	100
SNR3012-2R7N	2.7±30%	100KHz/1V	111	85	1.14	1.14	1.48	1.48	65
SNR3012-3R3M	3.3±20%	100KHz/1V	130	100	1.05	1.05	1.36	1.36	64
SNR3012-3R9M	3.9±20%	100KHz/1V	189	145	1.00	1.00	1.24	1.24	61
SNR3012-4R7M	4.7±20%	100KHz/1V	156	120	0.90	0.90	1.24	1.24	61
SNR3012-6R8M	6.8±20%	100KHz/1V	247	190	0.75	0.75	0.98	0.98	61
SNR3012-100M	10±20%	100KHz/1V	345	265	0.60	0.60	0.83	0.83	42
SNR3012-120M	12±20%	100KHz/1V	449	345	0.48	0.48	0.73	0.73	32
SNR3012-150M	15±20%	100KHz/1V	468	360	0.45	0.45	0.71	0.71	27
SNR3012-180M	18±20%	100KHz/1V	709	545	0.43	0.43	0.58	0.58	25
SNR3012-220M	22±20%	100KHz/1V	839	645	0.42	0.42	0.53	0.53	23
SNR3012-270M	27±20%	100KHz/1V	1131	870	0.35	0.35	0.47	0.47	21
SNR3012-330M	33±20%	100KHz/1V	1138	875	0.36	0.36	0.46	0.46	18
SNR3012-360M	36±20%	100KHz/1V	1235	950	0.34	0.34	0.44	0.44	18
SNR3012-390M	39±20%	100KHz/1V	1729	1330	0.30	0.30	0.37	0.37	18
SNR3012-470M	47±20%	100KHz/1V	1885	1450	0.27	0.27	0.35	0.35	14
SNR3012-680M	68±20%	100KHz/1V	2171	1670	0.24	0.24	0.33	0.33	12
SNR3012-820M	82±20%	100KHz/1V	3302	2540	0.17	0.17	0.27	0.27	12
SNR3012-101M	100±20%	100KHz/1V	3718	2860	0.21	0.21	0.25	0.25	12

Isat: Direct current at which the inductance drops approximate 30% from its value without current.



Irms: Direct current when the temperature of the product rise($\Delta T=40^{\circ}C$) from $20^{\circ}C$ ambient

SNR3015 系列

MCT	Inductance	L Test	DCR(m Ω)		Irms(A)		Isat(A)		SRF
P/N	L(μ H)	Frequency	MAX	TYP	MAX	TYP	MAX	TYP	(MHZ)
SNR3015-1R0N	1.00 \pm 30%	100KHz/1V	48	37	2.30	2.30	2.10	2.10	150
SNR3015-1R2N	1.20 \pm 30%	100KHz/1V	52	40	2.21	2.21	1.95	1.95	110
SNR3015-1R5N	1.50 \pm 30%	100KHz/1V	65	50	2.30	2.30	1.70	1.70	100
SNR3015-1R8N	1.80 \pm 30%	100KHz/1V	65	50	1.75	1.75	1.70	1.70	92
SNR3015-2R2N	2.20 \pm 30%	100KHz/1V	78	60	1.60	1.60	1.60	1.60	86
SNR3015-2R7N	2.70 \pm 30%	100KHz/1V	98	75	1.52	1.52	1.43	1.43	64
SNR3015-3R3M	3.30 \pm 20%	100KHz/1V	104	80	1.32	1.32	1.36	1.36	68
SNR3015-3R6M	3.60 \pm 20%	100KHz/1V	137	105	1.28	1.28	1.20	1.20	59
SNR3015-4R3M	4.30 \pm 20%	100KHz/1V	150	115	1.20	1.20	1.14	1.14	53
SNR3015-4R7M	4.70 \pm 20%	100KHz/1V	163	125	1.10	1.10	1.09	1.09	46
SNR3015-5R1M	5.10 \pm 20%	100KHz/1V	173	133	1.00	1.00	1.05	1.05	49
SNR3015-6R2M	6.20 \pm 20%	100KHz/1V	254	195	1.00	1.00	0.86	0.86	46
SNR3015-6R8M	6.80 \pm 20%	100KHz/1V	260	200	0.90	0.90	0.90	0.90	39
SNR3015-100M	10.00 \pm 20%	100KHz/1V	325	250	0.72	0.72	0.77	0.77	41
SNR3015-120M	12.00 \pm 20%	100KHz/1V	416	320	0.70	0.70	0.68	0.68	32
SNR3015-150M	15.00 \pm 20%	100KHz/1V	455	350	0.66	0.66	0.65	0.65	30
SNR3015-180M	18.00 \pm 20%	100KHz/1V	559	430	0.56	0.56	0.59	0.59	23
SNR3015-220M	22.00 \pm 20%	100KHz/1V	598	460	0.52	0.52	0.57	0.57	23
SNR3015-270M	27.00 \pm 20%	100KHz/1V	949	730	0.48	0.48	0.45	0.45	22
SNR3015-330M	33.00 \pm 20%	100KHz/1V	1066	820	0.44	0.44	0.43	0.43	20
SNR3015-390M	39.00 \pm 20%	100KHz/1V	1294	995	0.41	0.41	0.39	0.39	14
SNR3015-430M	43.00 \pm 20%	100KHz/1V	1378	1060	0.37	0.37	0.37	0.37	16
SNR3015-470M	47.00 \pm 20%	100KHz/1V	1625	1250	0.35	0.35	0.35	0.35	14
SNR3015-560M	56.00 \pm 20%	100KHz/1V	1664	1280	0.33	0.33	0.34	0.34	13
SNR3015-620M	62.00 \pm 20%	100KHz/1V	2093	1610	0.30	0.30	0.30	0.30	13
SNR3015-680M	68.00 \pm 20%	100KHz/1V	3510	2700	0.28	0.28	0.23	0.23	11

Isat: Direct current at which the inductance drops approximate 30% from its value without current.

Irms: Direct current when the temperature of the product rise($\Delta T=40^{\circ}C$) from $20^{\circ}C$ ambient

SNR4012 系列

MCT	Inductance	L Test	DCR(m Ω)		Irms(A)		Isat(A)		SRF	Marking
P/N	L(μ H)	Frequency	MAX	TYP	MAX	TYP	MAX	TYP	(MHZ)	
SNR4012-R82N	0.82 \pm 30%	100KHz,1.0V	65	50	3.15	3.15	1.65	1.65	150	R82
SNR4012-1R0N	1.00 \pm 30%	100KHz,1.0V	65	50	2.61	2.61	1.65	1.65	120	1R0
SNR4012-1R5N	1.50 \pm 30%	100KHz,1.0V	85	65	2.10	2.10	1.46	1.46	90	1R5
SNR4012-1R8N	1.80 \pm 30%	100KHz,1.0V	104	80	2.12	2.12	1.32	1.32	88	1R8
SNR4012-2R2N	2.20 \pm 30%	100KHz,1.0V	111	85	1.76	1.76	1.32	1.32	74	2R2
SNR4012-2R7N	2.70 \pm 30%	100KHz,1.0V	117	90	1.90	1.90	1.25	1.25	71	2R7
SNR4012-3R3N	3.30 \pm 30%	100KHz,1.0V	147	113	1.25	1.25	1.12	1.12	60	3R3
SNR4012-3R6N	3.60 \pm 30%	100KHz,1.0V	143	110	1.20	1.20	1.12	1.12	57	3R6
SNR4012-4R3N	4.30 \pm 30%	100KHz,1.0V	182	140	1.58	1.58	1.00	1.00	54	4R3
SNR4012-4R7N	4.70 \pm 30%	100KHz,1.0V	182	140	1.15	1.15	1.05	1.05	50	4R7



SNR4012-5R1N	5.10±30%	100KHz,1.0V	202	155	1.55	1.55	0.95	0.95	50	5R1
SNR4012-5R6N	5.60±30%	100KHz,1.0V	182	140	1.00	1.00	1.00	1.00	42	5R6
SNR4012-6R8M	6.80±20%	100KHz,1.0V	257	198	0.95	0.95	0.84	0.84	40	6R8
SNR4012-100M	10.00±20%	100KHz,1.0V	345	265	0.80	0.80	0.77	0.77	33	100
SNR4012-120M	12.00±20%	100KHz,1.0V	377	290	0.66	0.66	0.70	0.70	32	120
SNR4012-150M	15.00±20%	100KHz,1.0V	494	380	0.56	0.56	0.64	0.64	25	150
SNR4012-180M	18.00±20%	100KHz,1.0V	611	470	0.55	0.55	0.55	0.55	23	180
SNR4012-220M	22.00±20%	100KHz,1.0V	741	570	0.54	0.54	0.55	0.55	20	220
SNR4012-270M	27.00±20%	100KHz,1.0V	936	720	0.50	0.50	0.45	0.45	18	270
SNR4012-330M	33.00±20%	100KHz,1.0V	1235	950	0.42	0.42	0.42	0.42	17	330
SNR4012-360M	36.00±20%	100KHz,1.0V	1170	900	0.40	0.40	0.40	0.40	17	360
SNR4012-390M	39.00±20%	100KHz,1.0V	1430	1100	0.55	0.55	0.37	0.37	14	390
SNR4012-470M	47.00±20%	100KHz,1.0V	1755	1350	0.35	0.35	0.37	0.37	12	470
SNR4012-560M	56.00±20%	100KHz,1.0V	1625	1250	0.33	0.33	0.33	0.33	11	560
SNR4012-680M	68.00±20%	100KHz,1.0V	2535	1950	0.38	0.38	0.27	0.27	11	680
SNR4012-820M	82.00±20%	100KHz,1.0V	2782	2140	0.28	0.28	0.26	0.26	11	820
SNR4012-101M	100.00±20%	100KHz,1.0V	2873	2210	0.25	0.25	0.25	0.25	9.4	101

Isat: Direct current at which the inductance drops approximate 30% from its value without current.

Irms: Direct current when the temperature of the product rise(ΔT=40℃) from 20℃ ambient

SNR4018 系列

MCT	Inductance	Percent	L Test	DC Resistance	Rated Current	Rated Current	Marking
P/N	L(μH)	Tolerance	Frequency	DCR (mΩ)	Isat(A)	Irms(A)	
SNR4018-1R0N	1.00	±30%	100KHz,1.0V	30±30%	4.00A	1.83A	1R0
SNR4018-1R5N	1.50	±30%	100KHz,1.0V	30±30%	3.35A	1.80A	1R5
SNR4018-2R2N	2.20	±30%	100KHz,1.0V	60±30%	2.70A	1.44A	2R2
SNR4018-3R3M	3.30	±20%	100KHz,1.0V	70±30%	2.00A	1.23A	3R3
SNR4018-4R7M	4.70	±20%	100KHz,1.0V	90±30%	1.70A	1.20A	4R7
SNR4018-6R8M	6.80	±20%	100KHz,1.0V	110±30%	1.45A	1.06A	6R8
SNR4018-100M	10.00	±20%	100KHz,1.0V	180±30%	1.20A	0.84A	100
SNR4018-150M	15.00	±20%	100KHz,1.0V	250±30%	0.94A	0.65A	150
SNR4018-220M	22.00	±20%	100KHz,1.0V	360±30%	0.80A	0.59A	220
SNR4018-330M	33.00	±20%	100KHz,1.0V	530±30%	0.56A	0.49A	330
SNR4018-470M	47.00	±20%	100KHz,1.0V	650±30%	0.57A	0.42A	470
SNR4018-680M	68.00	±20%	100KHz,1.0V	1000±30%	0.47A	0.32A	680
SNR4018-101M	100.00	±20%	100KHz,1.0V	1750±30%	0.40A	0.25A	101
SNR4018-151M	150.00	±20%	100KHz,1.0V	2500±30%	0.31A	0.22A	151
SNR4018-221M	220.00	±20%	100KHz,1.0V	4000±30%	0.27A	0.17A	221

Isat: Direct current at which the inductance drops approximate 30% from its value without current.

Irms: Direct current when the temperature of the product rise (ΔT=40℃) from 20℃ ambient.

SNR4020 系列

MCT	Inductance	Percent	L Test	DC	Rated	Rated	Marking
-----	------------	---------	--------	----	-------	-------	---------



P/N	L(μH)	Tolerance	Frequency	Resistance DCR (mΩ)	Current Isat(A)	Current Irms(A)	
SNR4020-1R0N	1.00	±30%	100KHz,1.0V	29±30%	4.78	2.15	1R0
SNR4020-1R2N	1.20	±30%	100KHz,1.0V	29±30%	5.10	2.15	1R2
SNR4020-1R5N	1.50	±30%	100KHz,1.0V	35±30%	4.45	1.98	1R5
SNR4020-2R2N	2.20	±30%	100KHz,1.0V	40±30%	3.40	1.85	2R2
SNR4020-3R3M	3.30	±20%	100KHz,1.0V	70±30%	3.20	1.40	3R3
SNR4020-3R6M	3.60	±20%	100KHz,1.0V	55±30%	2.80	1.54	3R6
SNR4020-4R7M	4.70	±20%	100KHz,1.0V	75±30%	2.35	1.34	4R7
SNR4020-5R1M	5.10	±20%	100KHz,1.0V	85±30%	2.30	1.27	5R1
SNR4020-5R6M	5.60	±20%	100KHz,1.0V	90±30%	2.20	1.22	5R6
SNR4020-6R2M	6.20	±20%	100KHz,1.0V	115±30%	2.15	1.08	6R2
SNR4020-6R8M	6.80	±20%	100KHz,1.0V	125±30%	2.20	1.04	6R8
SNR4020-7R5M	7.50	±20%	100KHz,1.0V	115±30%	1.85	1.08	7R5
SNR4020-8R2M	8.20	±20%	100KHz,1.0V	125±30%	1.75	1.04	8R2
SNR4020-100M	10.00	±20%	100KHz,1.0V	165±30%	1.60	0.90	100
SNR4020-120M	12.00	±20%	100KHz,1.0V	175±30%	1.50	0.88	120
SNR4020-150M	15.00	±20%	100KHz,1.0V	230±30%	1.35	0.77	150
SNR4020-220M	22.00	±20%	100KHz,1.0V	350±30%	1.05	0.62	220
SNR4020-270M	27.00	±20%	100KHz,1.0V	545±30%	1.02	0.50	270
SNR4020-330M	33.00	±20%	100KHz,1.0V	550±30%	0.85	0.49	330
SNR4020-390M	39.00	±20%	100KHz,1.0V	650±30%	0.82	0.46	390
SNR4020-430M	43.00	±20%	100KHz,1.0V	660±30%	0.77	0.45	430
SNR4020-470M	47.00	±20%	100KHz,1.0V	710±30%	0.74	0.44	470
SNR4020-510M	51.00	±20%	100KHz,1.0V	750±30%	0.70	0.42	510
SNR4020-560M	56.00	±20%	100KHz,1.0V	800±30%	0.66	0.41	560
SNR4020-620M	62.00	±20%	100KHz,1.0V	900±30%	0.65	0.39	620
SNR4020-680M	68.00	±20%	100KHz,1.0V	1060±30%	0.61	0.36	680
SNR4020-750M	75.00	±20%	100KHz,1.0V	1160±30%	0.70	0.35	750
SNR4020-820M	82.00	±20%	100KHz,1.0V	1170±30%	0.50	0.34	820
SNR4020-101M	100.00	±20%	100KHz,1.0V	1550±30%	0.48	0.31	101

SNR4030 系列

MCT	Inductance	Percent	L Test	DC Resistance	Rated Current	Rated Current	Marking
P/N	L(μH)	Tolerance	Frequency	DCR (mΩ)	Isat(A)	Irms(A)	
SNR4030-R91N	0.91	±30%	100KHz,1.0V	13±30%	6.25A	4.00A	R91
SNR4030-1R2N	1.20	±30%	100KHz,1.0V	15±30%	5.80A	3.82A	1R2
SNR4030-1R5N	1.50	±30%	100KHz,1.0V	20±30%	4.84A	3.34A	1R5
SNR4030-1R8N	1.80	±30%	100KHz,1.0V	28±30%	4.80A	3.00A	1R8
SNR4030-2R2N	2.20	±30%	100KHz,1.0V	30±30%	4.40A	2.95A	2R2
SNR4030-3R3N	3.30	±30%	100KHz,1.0V	40±30%	3.30A	2.40A	3R3
SNR4030-4R3N	4.30	±30%	100KHz,1.0V	55±30%	2.95A	2.10A	4R3
SNR4030-4R7M	4.70	±20%	100KHz,1.0V	60±30%	2.90A	2.00A	4R7
SNR4030-5R6M	5.60	±20%	100KHz,1.0V	65±30%	2.60A	1.95A	5R6
SNR4030-6R8M	6.80	±20%	100KHz,1.0V	90±30%	2.75A	1.60A	6R8



SNR4030-7R5M	7.50	±20%	100KHz,1.0V	85±30%	2.20A	1.65A	7R5
SNR4030-8R2M	8.20	±20%	100KHz,1.0V	90±30%	2.10A	1.60A	8R2
SNR4030-100M	10.00	±20%	100KHz,1.0V	100±30%	1.95A	1.50A	100
SNR4030-120M	12.00	±20%	100KHz,1.0V	135±30%	1.70A	1.30A	120
SNR4030-150M	15.00	±20%	100KHz,1.0V	190±30%	1.65A	1.11A	150
SNR4030-180M	18.00	±20%	100KHz,1.0V	200±30%	1.40A	1.10A	180
SNR4030-220M	22.00	±20%	100KHz,1.0V	225±30%	1.30A	1.00A	220
SNR4030-330M	33.00	±20%	100KHz,1.0V	330±30%	1.10A	0.84A	330
SNR4030-360M	36.00	±20%	100KHz,1.0V	335±30%	1.05A	0.83A	360
SNR4030-390M	39.00	±20%	100KHz,1.0V	435±30%	1.03A	0.73A	390
SNR4030-470M	47.00	±20%	100KHz,1.0V	445±30%	0.95A	0.72A	470
SNR4030-510M	51.00	±20%	100KHz,1.0V	470±30%	0.90A	0.70A	510
SNR4030-560M	56.00	±20%	100KHz,1.0V	555±30%	0.85A	0.65A	560
SNR4030-620M	62.00	±20%	100KHz,1.0V	585±30%	0.80A	0.63A	620
SNR4030-680M	68.00	±20%	100KHz,1.0V	868±30%	0.72A	0.52A	680
SNR4030-750M	75.00	±20%	100KHz,1.0V	1020±30%	0.70A	0.48A	750
SNR4030-820M	82.00	±20%	100KHz,1.0V	1060±30%	0.66A	0.47A	820
SNR4030-910M	91.00	±20%	100KHz,1.0V	1100±30%	0.65A	0.46A	910
SNR4030-101M	100.00	±20%	100KHz,1.0V	1150±30%	0.60A	0.45A	101
SNR4030-121M	120.00	±20%	100KHz,1.0V	1350±30%	0.55A	0.42A	121

Isat: Direct current at which the inductance drops approximate 30% from its value without current.

Irms: Direct current when the temperature of the product rise ($\Delta T=40^{\circ}C$) from $20^{\circ}C$ ambient.

SNR5012 系列

MCT	Inductance	Percent	L Test	DC Resistance	Rated Current	Rated Current	Marking
P/N	L(μH)	Tolerance	Frequency	DCR (m Ω)	Isat(A)	Irms(A)	
SNR5012-1R0N	1.00	±30%	100KHz,1.0V	57±30%	4.40A	2.40A	1R0
SNR5012-1R5N	1.50	±30%	100KHz,1.0V	72±30%	3.70A	2.25A	1R5
SNR5012-2R2N	2.20	±30%	100KHz,1.0V	90±30%	3.10A	2.00A	2R2
SNR5012-3R3M	3.30	±20%	100KHz,1.0V	126±30%	2.45A	1.70A	3R3
SNR5012-4R7M	4.70	±20%	100KHz,1.0V	164±30%	2.20A	1.50A	4R7
SNR5012-6R8M	6.80	±20%	100KHz,1.0V	245±30%	1.75A	1.25A	6R8
SNR5012-100M	10.00	±20%	100KHz,1.0V	344±30%	1.40A	1.05A	100
SNR5012-150M	15.00	±20%	100KHz,1.0V	436±30%	1.25A	0.92A	150

Isat: Direct current at which the inductance drops approximate 30% from its value without current.

Irms: Direct current when the temperature of the product rise ($\Delta T=40^{\circ}C$) from $20^{\circ}C$ ambient.

SNR5020 系列

MCT	Inductance	Percent	L Test	DC Resistance	Rated Current	Rated Current	Marking
P/N	L(μH)	Tolerance	Frequency	DCR (m Ω)	Isat(A)	Irms(A)	
SNR5020-R47N	0.47	±30%	100KHz,1.0V	13±30%	6.15A	4.60A	R47
SNR5020-R75N	0.75	±30%	100KHz,1.0V	17±30%	5.50A	4.00A	R75
SNR5020-1R0N	1.00	±30%	100KHz,1.0V	20±30%	4.10A	3.80A	1R0
SNR5020-1R2N	1.20	±30%	100KHz,1.0V	22±30%	4.50A	3.55A	1R2
SNR5020-1R5N	1.50	±30%	100KHz,1.0V	26±30%	4.10A	3.20A	1R5



SNR5020-2R2N	2.20	±30%	100KHz,1.0V	32±30%	3.20A	2.90A	2R2
SNR5020-2R7N	2.70	±30%	100KHz,1.0V	38±30%	2.90A	2.70A	2R7
SNR5020-3R0N	3.00	±30%	100KHz,1.0V	38±30%	2.55A	2.70A	3R0
SNR5020-3R3N	3.30	±30%	100KHz,1.0V	43±30%	2.55A	2.50A	3R3
SNR5020-3R6N	3.60	±30%	100KHz,1.0V	43±30%	2.80A	2.50A	3R6
SNR5020-3R9N	3.90	±30%	100KHz,1.0V	43±30%	2.30A	2.50A	3R9
SNR5020-4R3M	4.30	±20%	100KHz,1.0V	57±30%	2.50A	2.20A	4R3
SNR5020-4R7M	4.70	±20%	100KHz,1.0V	57±30%	2.50A	2.20A	4R7
SNR5020-5R1M	5.10	±20%	100KHz,1.0V	64±30%	2.25A	2.05A	5R1
SNR5020-5R6M	5.60	±20%	100KHz,1.0V	64±30%	2.30A	2.05A	5R6
SNR5020-6R8M	6.80	±20%	100KHz,1.0V	83±30%	2.05A	1.80A	6R8
SNR5020-7R5M	7.50	±20%	100KHz,1.0V	90±30%	1.85A	1.75A	7R5
SNR5020-8R2M	8.20	±20%	100KHz,1.0V	98±30%	1.85A	1.65A	8R2
SNR5020-9R1M	9.10	±20%	100KHz,1.0V	110±30%	1.70A	1.55A	9R1
SNR5020-100M	10.00	±20%	100KHz,1.0V	110±30%	1.70A	1.55A	100
SNR5020-120M	12.00	±20%	100KHz,1.0V	140±30%	1.50A	1.40A	120
SNR5020-150M	15.00	±20%	100KHz,1.0V	165±30%	1.35A	1.25A	150
SNR5020-180M	18.00	±20%	100KHz,1.0V	200±30%	1.25A	1.15A	180
SNR5020-220M	22.00	±20%	100KHz,1.0V	226±30%	1.15A	1.10A	220

Isat: Direct current at which the inductance drops approximate 30% from its value without current.

Irms: Direct current when the temperature of the product rise ($\Delta T=40^{\circ}C$) from $20^{\circ}C$ ambient.

SNR5040 系列

MCT	Inductance	Percent	L Test	DC Resistance	Rated Current	Rated Current	Marking
P/N	L(μH)	Tolerance	Frequency	DCR (m Ω)	Isat(A)	Irms(A)	
SNR5040-1R0N	1.00	±30%	100KHz,1.0V	12±30%	7.35A	4.90A	1R0
SNR5040-1R5N	1.50	±30%	100KHz,1.0V	15±30%	6.30A	4.30A	1R5
SNR5040-2R2N	2.20	±30%	100KHz,1.0V	19±30%	4.90A	3.80A	2R2
SNR5040-2R7N	2.70	±30%	100KHz,1.0V	22±30%	4.30A	3.60A	2R7
SNR5040-3R3N	3.30	±30%	100KHz,1.0V	24±30%	3.95A	3.40A	3R3
SNR5040-3R9N	3.90	±30%	100KHz,1.0V	27±30%	3.55A	3.20A	3R9
SNR5040-4R7N	4.70	±30%	100KHz,1.0V	30±30%	3.50A	3.00A	4R7
SNR5040-6R8M	6.80	±20%	100KHz,1.0V	43±30%	2.90A	2.50A	6R8
SNR5040-100M	10.00	±20%	100KHz,1.0V	64±30%	2.35A	2.10A	100
SNR5040-150M	15.00	±20%	100KHz,1.0V	86±30%	2.00A	2.00A	150
SNR5040-220M	22.00	±20%	100KHz,1.0V	129±30%	1.60A	1.50A	220
SNR5040-330M	33.00	±20%	100KHz,1.0V	188±30%	1.30A	1.20A	330
SNR5040-470M	47.00	±20%	100KHz,1.0V	272±30%	1.10A	1.00A	470
SNR5040-680M	68.00	±20%	100KHz,1.0V	400±30%	0.90A	0.80A	680
SNR5040-101M	100.00	±20%	100KHz,1.0V	560±30%	0.75A	0.70A	101

Isat: Direct current at which the inductance drops approximate 30% from its value without current.

Irms: Direct current when the temperature of the product rise ($\Delta T=40^{\circ}C$) from $20^{\circ}C$ ambient.

SNR6020 系列

MCT	Inductance	Percent	L Test	DC	Rated	Rated	Marking
-----	------------	---------	--------	----	-------	-------	---------



P/N	L(μH)	Tolerance	Frequency	Resistance DCR (mΩ)	Current Isat(A)	Current Irms(A)	
SNR6020-R50N	0.50	±30%	100KHz,1.0V	14±30%	4.50A	3.30A	R50
SNR6020-R68N	0.68	±30%	100KHz,1.0V	17±30%	6.55A	3.80A	R68
SNR6020-0R8N	0.80	±30%	100KHz,1.0V	20±30%	5.50A	3.80A	0R8
SNR6020-R82N	0.82	±30%	100KHz,1.0V	17±30%	5.30A	3.80A	R82
SNR6020-1R0N	1.00	±30%	100KHz,1.0V	20±30%	4.15A	3.50A	1R0
SNR6020-1R2N	1.20	±30%	100KHz,1.0V	22±30%	5.90A	3.20A	1R2
SNR6020-1R5N	1.50	±30%	100KHz,1.0V	26±30%	4.00A	3.20A	1R5
SNR6020-1R8N	1.80	±30%	100KHz,1.0V	28±30%	4.85A	2.75A	1R8
SNR6020-2R0N	2.00	±30%	100KHz,1.0V	35±30%	4.10A	2.60A	2R0
SNR6020-2R2N	2.20	±30%	100KHz,1.0V	34±30%	3.20A	2.70A	2R2
SNR6020-2R7N	2.70	±30%	100KHz,1.0V	35±30%	3.90A	2.60A	2R7
SNR6020-3R3N	3.30	±30%	100KHz,1.0V	40±30%	2.80A	2.60A	3R3
SNR6020-3R9N	3.0	±30%	100KHz,1.0V	49±30%	3.25A	2.10A	3R3
SNR6020-4R3N	4.30	±30%	100KHz,1.0V	49±30%	2.70A	2.10A	4R3
SNR6020-4R7N	4.70	±30%	100KHz,1.0V	58±30%	2.40A	2.00A	4R7
SNR6020-5R6N	5.60	±30%	100KHz,1.0V	58±30%	2.40A	1.90A	5R6
SNR6020-6R2N	6.20	±30%	100KHz,1.0V	79±30%	2.30A	1.80A	6R2
SNR6020-6R8N	6.80	±30%	100KHz,1.0V	85±30%	2.00A	1.80A	6R8
SNR6020-8R2N	8.20	±30%	100KHz,1.0V	105±30%	2.10A	1.40A	8R2
SNR6020-100M	10.00	±20%	100KHz,1.0V	125±30%	1.70A	1.40A	100
SNR6020-120M	12.00	±20%	100KHz,1.0V	120±30%	1.45A	1.30A	120
SNR6020-150M	15.00	±20%	100KHz,1.0V	145±30%	1.20A	1.20A	150
SNR6020-180M	18.00	±20%	100KHz,1.0V	180±30%	1.20A	1.08A	180
SNR6020-220M	22.00	±20%	100KHz,1.0V	290±30%	1.05A	0.95A	220

Isat: Direct current at which the inductance drops approximate 30% from its value without current.

Irms: Direct current when the temperature of the product rise (ΔT=40°C) from 20°C ambient.

SNR6028 系列

MCT	Inductance	Percent	L Test	DC Resistance	Rated Current	Rated Current	Marking
P/N	L(μH)	Tolerance	Frequency	DCR (mΩ)	Isat(A)	Irms(A)	
SNR6028-0R9N	0.90	±30%	100KHz,1.0V	13±30%	6.60A	4.60A	0R9
SNR6028-1R0N	1.00	±30%	100KHz,1.0V	10±30%	5.75A	5.20A	1R0
SNR6028-1R5N	1.50	±30%	100KHz,1.0V	16±30%	5.00A	4.20A	1R5
SNR6028-2R2N	2.20	±30%	100KHz,1.0V	20±30%	4.20A	3.70A	2R2
SNR6028-2R7N	2.70	±30%	100KHz,1.0V	20±30%	3.80A	3.75A	2R7
SNR6028-3R0N	3.00	±30%	100KHz,1.0V	23±30%	3.60A	3.40A	3R0
SNR6028-3R3N	3.30	±30%	100KHz,1.0V	25±30%	4.15A	3.48A	3R3
SNR6028-4R7M	4.70	±20%	100KHz,1.0V	31±30%	2.70A	3.00A	4R7
SNR6028-5R1N	5.10	±20%	100KHz,1.0V	43±30%	3.20A	2.60A	5R1
SNR6028-6R0M	6.00	±20%	100KHz,1.0V	40±30%	2.50A	2.50A	6R0
SNR6028-6R2M	6.20	±20%	100KHz,1.0V	47±30%	3.05A	2.40A	6R2
SNR6028-6R8M	6.80	±20%	100KHz,1.0V	47±30%	2.60A	2.40A	6R8
SNR6028-8R2M	8.20	±20%	100KHz,1.0V	55±30%	2.30A	2.25A	8R2



SNR6028-9R1M	9.10	±20%	100KHz,1.0V	74±30%	2.55A	2.15A	9R1
SNR6028-100M	10.00	±20%	100KHz,1.0V	65±30%	1.90A	1.90A	100
SNR6028-120M	12.00	±20%	100KHz,1.0V	80±30%	1.80A	1.85A	120
SNR6028-150M	15.00	±20%	100KHz,1.0V	95±30%	1.60A	1.80A	150
SNR6028-180M	18.00	±20%	100KHz,1.0V	120±30%	1.52A	1.45A	180
SNR6028-220M	22.00	±20%	100KHz,1.0V	135±30%	1.30A	1.40A	220
SNR6028-270M	27.00	±20%	100KHz,1.0V	140±30%	1.50A	1.32A	270
SNR6028-330M	33.00	±20%	100KHz,1.0V	220±30%	1.10A	1.10A	330
SNR6028-360M	36.00	±20%	100KHz,1.0V	185±30%	1.25A	1.13A	360
SNR6028-390M	39.00	±20%	100KHz,1.0V	225±30%	1.25A	1.10A	390
SNR6028-470M	47.00	±20%	100KHz,1.0V	300±30%	0.95A	0.92A	470
SNR6028-680M	68.00	±20%	100KHz,1.0V	420±30%	0.76A	0.77A	680
SNR6028-750M	75.00	±20%	100KHz,1.0V	410±30%	0.90A	0.81A	750
SNR6028-820M	82.00	±20%	100KHz,1.0V	500±30%	0.80A	0.70A	820
SNR6028-101M	100.00	±20%	100KHz,1.0V	600±30%	0.62A	0.66A	101

Isat: Direct current at which the inductance drops approximate 30% from its value without current.

Irms: Direct current when the temperature of the product rise ($\Delta T=40^{\circ}C$) from $20^{\circ}C$ ambient.

SNR6045 系列

MCT	Inductance	Percent	L Test	DC Resistance	Rated Current	Rated Current	Marking
P/N	L(μH)	Tolerance	Frequency	DCR (m Ω)	Isat(A)	Irms(A)	
SNR6045-R82N	0.82	±30%	100KHz,1.0V	8±30%	10.40A	5.90A	R82
SNR6045-1R0N	1.00	±30%	100KHz,1.0V	14±30%	8.50A	4.20A	1R0
SNR6045-1R2N	1.20	±30%	100KHz,1.0V	10±30%	8.35A	5.40A	1R2
SNR6045-1R3N	1.30	±30%	100KHz,1.0V	16±30%	8.00A	4.00A	1R3
SNR6045-1R5N	1.50	±30%	100KHz,1.0V	12±30%	8.80A	4.95A	1R5
SNR6045-1R8N	1.80	±30%	100KHz,1.0V	18±30%	7.00A	3.70A	1R8
SNR6045-2R2N	2.20	±30%	100KHz,1.0V	14±30%	6.75A	4.60A	2R2
SNR6045-2R3N	2.30	±30%	100KHz,1.0V	21±30%	6.00A	3.50A	2R3
SNR6045-2R7N	2.70	±30%	100KHz,1.0V	15±30%	5.75A	4.30A	2R7
SNR6045-3R0N	3.00	±30%	100KHz,1.0V	24±30%	5.00A	3.20A	3R0
SNR6045-3R3N	3.30	±30%	100KHz,1.0V	21±30%	5.90A	3.70A	3R3
SNR6045-3R6N	3.60	±30%	100KHz,1.0V	21±30%	5.25A	3.70A	3R6
SNR6045-4R3M	4.30	±20%	100KHz,1.0V	23±30%	4.45A	3.50A	4R3
SNR6045-4R5M	4.50	±20%	100KHz,1.0V	31±30%	4.00A	3.00A	4R5
SNR6045-4R7M	4.70	±20%	100KHz,1.0V	26±30%	4.97A	3.30A	4R7
SNR6045-5R1M	5.10	±20%	100KHz,1.0V	26±30%	4.40A	3.30A	5R1
SNR6045-5R6M	5.60	±20%	100KHz,1.0V	29±30%	4.15A	3.15A	5R6
SNR6045-6R2M	6.20	±20%	100KHz,1.0V	31±30%	4.43A	3.00A	6R2
SNR6045-6R3M	6.30	±20%	100KHz,1.0V	38±30%	3.80A	2.80A	6R3
SNR6045-6R8M	6.80	±20%	100KHz,1.0V	31±30%	3.90A	3.00A	6R8
SNR6045-7R5M	7.50	±20%	100KHz,1.0V	34±30%	3.50A	2.90A	7R5
SNR6045-8R2M	8.20	±20%	100KHz,1.0V	43±30%	3.90A	2.60A	8R2
SNR6045-9R1M	9.10	±20%	100KHz,1.0V	43±30%	3.35A	2.60A	9R1
SNR6045-100M	10.00	±20%	100KHz,1.0V	47±30%	3.00A	2.50A	100



SNR6045-120M	12.00	±20%	100KHz,1.0V	58±30%	2.80A	2.20A	120
SNR6045-150M	15.00	±20%	100KHz,1.0V	77±30%	2.30A	1.90A	150
SNR6045-180M	18.00	±20%	100KHz,1.0V	81±30%	2.20A	1.85A	180
SNR6045-220M	22.00	±20%	100KHz,1.0V	115±30%	1.90A	1.50A	220
SNR6045-270M	27.00	±20%	100KHz,1.0V	102±30%	1.90A	1.65A	270
SNR6045-300M	30.00	±20%	100KHz,1.0V	132±30%	1.70A	1.50A	300
SNR6045-330M	33.00	±20%	100KHz,1.0V	145±30%	1.50A	1.40A	330
SNR6045-360M	36.00	±20%	100KHz,1.0V	173±30%	1.62A	1.40A	360
SNR6045-390M	39.00	±20%	100KHz,1.0V	180±30%	1.50A	1.25A	390
SNR6045-430M	43.00	±20%	100KHz,1.0V	200±30%	1.63A	1.20A	430
SNR6045-470M	47.00	±20%	100KHz,1.0V	220±30%	1.30A	1.10A	470
SNR6045-510M	51.00	±20%	100KHz,1.0V	207±30%	1.35A	1.15A	510
SNR6045-560M	56.00	±20%	100KHz,1.0V	221±30%	1.30A	1.10A	560
SNR6045-620M	62.00	±20%	100KHz,1.0V	235±30%	1.25A	1.10A	620
SNR6045-680M	68.00	±20%	100KHz,1.0V	330±30%	1.00A	0.90A	680
SNR6045-750M	75.00	±20%	100KHz,1.0V	305±30%	1.15A	0.95A	750
SNR6045-820M	82.00	±20%	100KHz,1.0V	341±30%	1.05A	0.90A	820
SNR6045-910M	91.00	±20%	100KHz,1.0V	359±30%	1.00A	0.85A	910
SNR6045-101M	100.00	±20%	100KHz,1.0V	500±30%	0.80A	0.70A	101
SNR6045-121M	120.00	±20%	100KHz,1.0V	484±30%	0.85A	0.77A	121
SNR6045-151M	150.00	±20%	100KHz,1.0V	580±30%	0.80A	0.70A	151
SNR6045-221M	220.00	±20%	100KHz,1.0V	834±30%	0.70A	0.59A	221
SNR6045-331M	330.00	±20%	100KHz,1.0V	1270±30%	0.57A	0.57A	331

Isat: Direct current at which the inductance drops approximate 30% from its value without current.

Irms: Direct current when the temperature of the product rise ($\Delta T=40^{\circ}C$) from $20^{\circ}C$ ambient.

SNR8040 系列

MCT	Inductance	Percent	L Test	DC Resistance	Rated Current	Rated Current	Marking
P/N	L(μH)	Tolerance	Frequency	DCR (m Ω)	Isat(A)	Irms(A)	
SNR8040-R82N	0.82	±30%	100KHz,1.0V	8.0±30%	13.80A	6.30A	R82
SNR8040-0R9N	0.90	±30%	100KHz,1.0V	6.0±30%	11.00A	7.80A	0R9
SNR8040-1R0N	1.00	±30%	100KHz,1.0V	6.5±30%	10.00A	7.40A	1R0
SNR8040-1R4N	1.40	±30%	100KHz,1.0V	7.0±30%	9.00A	7.00A	1R4
SNR8040-1R5N	1.50	±30%	100KHz,1.0V	10.0±30%	8.15A	5.65A	1R5
SNR8040-2R0N	2.00	±30%	100KHz,1.0V	9.0±30%	7.40A	6.30A	2R0
SNR8040-2R2N	2.20	±30%	100KHz,1.0V	9.0±30%	7.10A	6.00A	2R2
SNR8040-3R0N	3.00	±30%	100KHz,1.0V	14.0±30%	6.10A	4.70A	3R0
SNR8040-3R3N	3.30	±30%	100KHz,1.0V	15.0±30%	5.50A	4.90A	3R3
SNR8040-3R6N	3.60	±30%	100KHz,1.0V	15.0±30%	5.30A	4.90A	3R6
SNR8040-3R8N	3.80	±30%	100KHz,1.0V	17.0±30%	5.00A	4.50A	3R8
SNR8040-3R9N	3.90	±30%	100KHz,1.0V	17.0±30%	5.75A	4.35A	3R9
SNR8040-4R7N	4.70	±30%	100KHz,1.0V	18.0±30%	4.70A	4.10A	4R7
SNR8040-4R7M	4.70	±20%	100KHz,1.0V	18.0±30%	4.70A	4.10A	4R7
SNR8040-5R1N	5.10	±30%	100KHz,1.0V	19.0±30%	4.70A	4.05A	5R1
SNR8040-5R6N	5.60	±30%	100KHz,1.0V	21.0±30%	6.00A	3.85A	5R6



SNR8040-6R2N	6.20	±30%	100KHz,1.0V	21.0±30%	4.45A	3.85A	6R2
SNR8040-6R8N	6.80	±30%	100KHz,1.0V	25.0±30%	4.00A	3.70A	6R8
SNR8040-6R8M	6.80	±20%	100KHz,1.0V	25.0±30%	4.00A	3.70A	6R8
SNR8040-8R2M	8.20	±20%	100KHz,1.0V	26.0±30%	4.20A	3.45A	8R2
SNR8040-100M	10.00	±20%	100KHz,1.0V	34.0±30%	3.40A	3.10A	100
SNR8040-150M	15.00	±20%	100KHz,1.0V	50.0±30%	2.70A	2.40A	150
SNR8040-180M	18.00	±20%	100KHz,1.0V	53.0±30%	2.70A	2.40A	180
SNR8040-220M	22.00	±20%	100KHz,1.0V	66.0±30%	2.20A	2.20A	220
SNR8040-270M	27.00	±20%	100KHz,1.0V	78.0±30%	2.15A	2.00A	270
SNR8040-330M	33.00	±20%	100KHz,1.0V	100.0±30%	1.90A	1.70A	330
SNR8040-360M	36.00	±20%	100KHz,1.0V	102.0±30%	2.00A	1.75A	360
SNR8040-390M	39.00	±20%	100KHz,1.0V	107.0±30%	1.95A	1.70A	390
SNR8040-430M	43.00	±20%	100KHz,1.0V	113.0±30%	1.90A	1.65A	430
SNR8040-470M	47.00	±20%	100KHz,1.0V	150.0±30%	1.50A	1.40A	470
SNR8040-510M	51.00	±20%	100KHz,1.0V	142.0±30%	1.70A	1.50A	510
SNR8040-560M	56.00	±20%	100KHz,1.0V	148.0±30%	1.55A	1.45A	560
SNR8040-620M	62.00	±20%	100KHz,1.0V	182.0±30%	1.50A	1.30A	620
SNR8040-680M	68.00	±20%	100KHz,1.0V	230.0±30%	1.20A	1.10A	680
SNR8040-750M	75.00	±20%	100KHz,1.0V	211.0±30%	1.35A	1.20A	750
SNR8040-820M	82.00	±20%	100KHz,1.0V	225.0±30%	1.30A	1.15A	820
SNR8040-910M	91.00	±20%	100KHz,1.0V	272.0±30%	1.20A	1.05A	910
SNR8040-101M	100.00	±20%	100KHz,1.0V	290.0±30%	1.00A	1.00A	101
SNR8040-121M	120.00	±20%	100KHz,1.0V	334.0±30%	1.05A	0.95A	121
SNR8040-151M	150.00	±20%	100KHz,1.0V	410.0±30%	1.10A	0.85A	151
SNR8040-221M	220.00	±20%	100KHz,1.0V	599.0±30%	0.85A	0.80A	221
SNR8040-331M	330.00	±20%	100KHz,1.0V	889.0±30%	0.68A	0.64A	331

Isat: Direct current at which the inductance drops approximate 30% from its value without current.

Irms: Direct current when the temperature of the product rise ($\Delta T=40^{\circ}\text{C}$) from 20°C ambient.

Packing information 包装尺寸

Series	Qty per Reel	Reel Size	Reel Box	Outer Box
SNR252010A	2000PCS	7Inch*8mmwidth	10000PCS(187*187*77mm)	50000PCS(400*205*205mm)
SNR252012A	2000PCS	7Inch*8mmwidth	10000PCS(187*187*77mm)	50000PCS(400*205*205mm)
SNR202610	2000PCS	7Inch*8mmwidth	10000PCS(187*187*77mm)	50000PCS(400*205*205mm)
SNR3010	2000PCS	7Inch*8mmwidth	10000PCS(187*187*77mm)	50000PCS(400*205*205mm)
SNR3012	2000PCS	7Inch*8mmwidth	10000PCS(187*187*77mm)	50000PCS(400*205*205mm)
SNR3015	2000PCS	7Inch*8mmwidth	10000PCS(187*187*77mm)	50000PCS(400*205*205mm)
SNR4012	4500PCS	13Inch*12mm	18000PCS(340*340*75mm)	54000PCS(358*358*250mm)
SNR4018	3000PCS	13Inch*12mm	12000PCS(340*340*75mm)	36000PCS(358*358*250mm)
SNR4030	2000PCS	13Inch*12mm	8000PCS(340*340*75mm)	24000PCS(358*358*250mm)
SNR5012	4500PCS	13Inch*12mm	18000PCS(340*340*75mm)	54000PCS(358*358*250mm)
SNR5020	2500PCS	13Inch*12mm	10000PCS(340*340*75mm)	30000PCS(358*358*250mm)
SNR5040	1500PCS	13Inch*16mm	4500PCS(340*340*75mm)	13500PCS(358*358*250mm)
SNR6020	2500PCS	13Inch*16mm	7500PCS(340*340*75mm)	22500PCS(358*358*250mm)
SNR6028	2000PCS	13Inch*16mm	6000PCS(340*340*75mm)	18000PCS(358*358*250mm)
SNR6045	1500PCS	13Inch*16mm	4500PCS(340*340*75mm)	13500PCS(358*358*250mm)
SNR8040	1000PCS	13Inch*16mm	3000PCS(340*340*75mm)	9000PCS(358*358*250mm)

